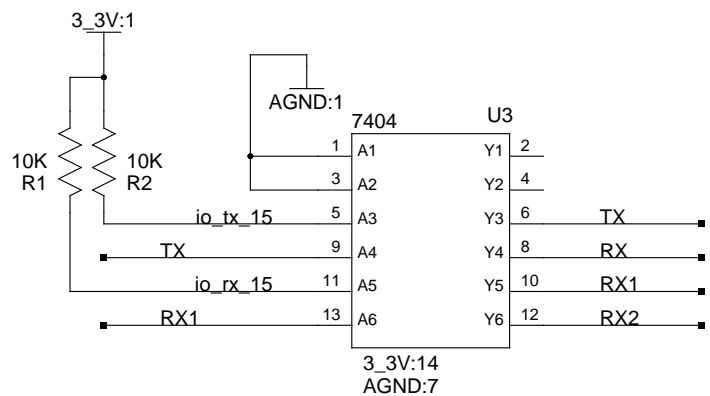
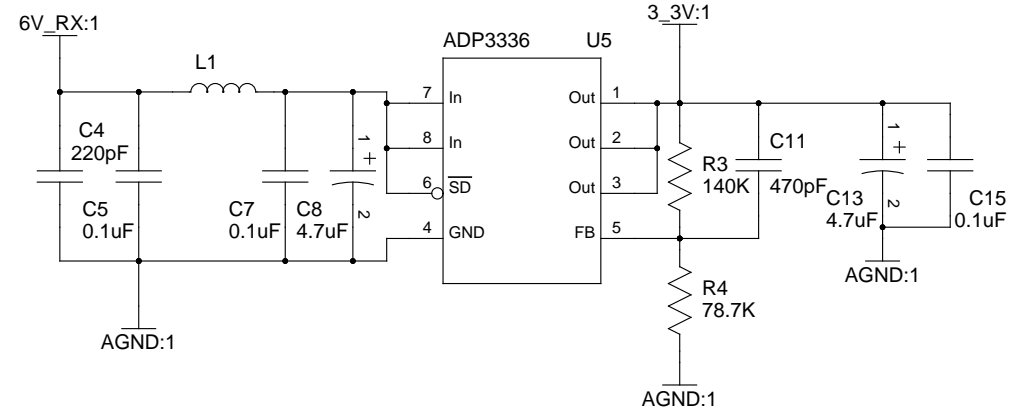
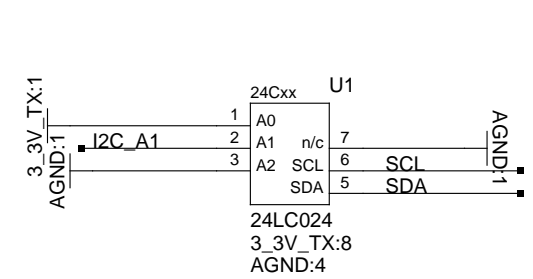


### Always On



A1	B1	A2	B2	Function
0	0	0	0	All Off
0	1	0	0	TX Only
0	1	1	0	TX Only
0	1	0	1	Full Duplex TX and RX
0	0	0	1	RX from secondary RX port
1	0	0	1	RX from secondary RX port
1	0	1	0	RX from primary TX/RX port
0	0	1	0	Nothing
1	0	0	0	Nothing
0	0	1	1	BAD!
0	1	1	1	BAD!
1	0	1	1	BAD!
1	1	0	0	BAD!
1	1	0	1	BAD!
1	1	1	0	BAD!
1	1	1	1	BAD!

