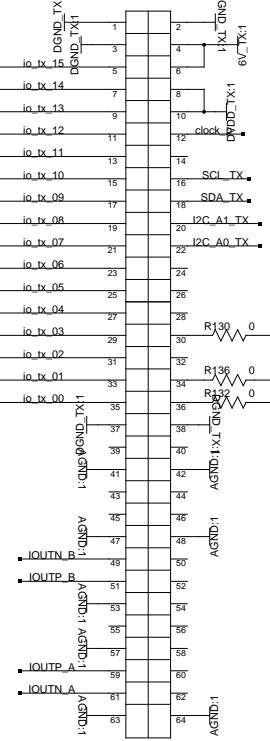
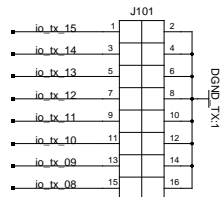


REVERSE PMC on BOTTOM!!!!

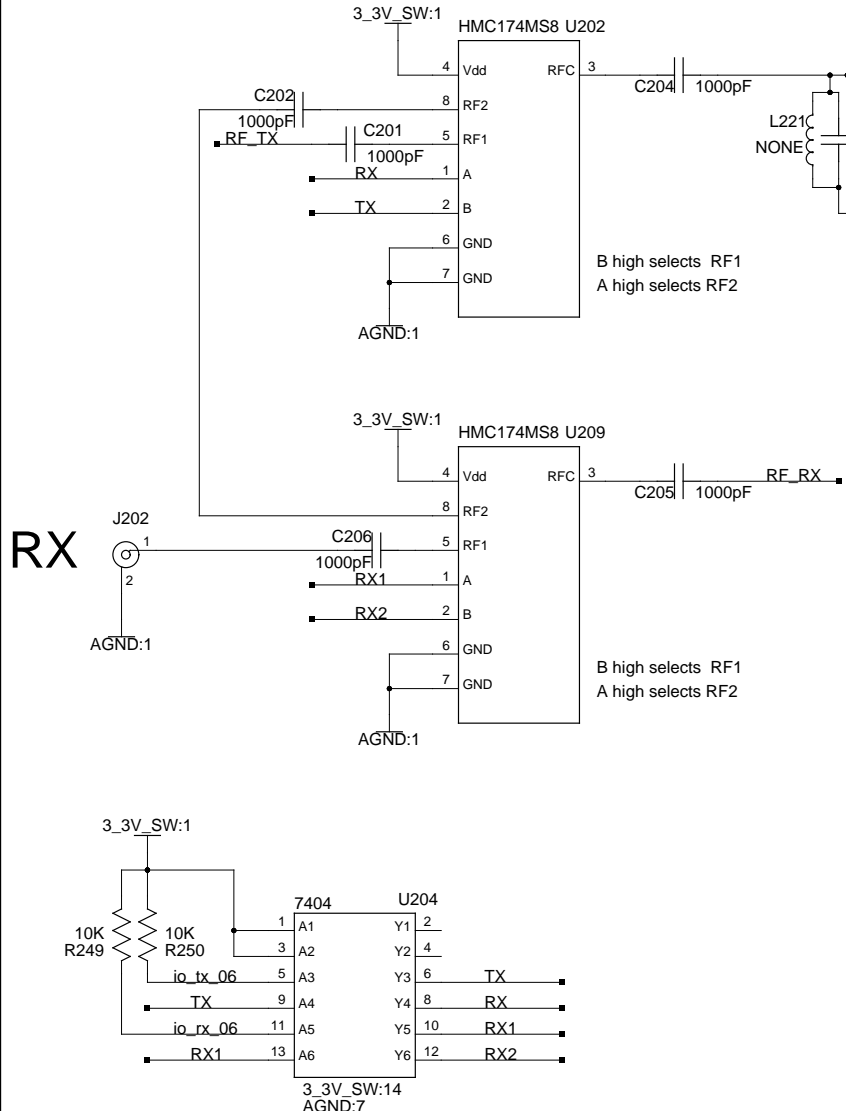


TX Nets	Pin	io_tx_XX
refclk_tx	io_tx_00	
SDO_TX	io_tx_01	
lockdet_tx	io_tx_02	
SCLK_TX	io_tx_03	
SEN_TX	io_tx_04	
TX Enable	io_tx_05	
TX / RX	io_tx_06	
TX Power	io_tx_07	



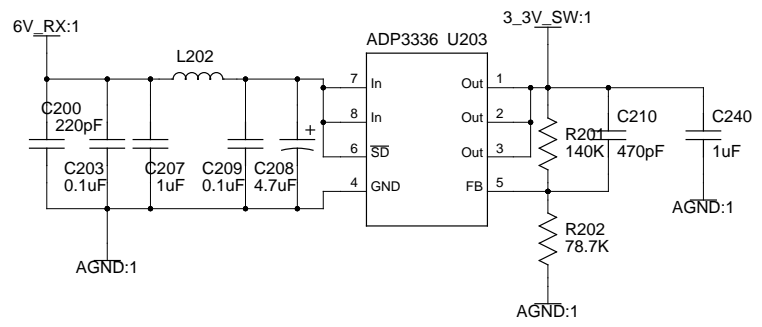
400 MHz Upconverter
 \$Date: 2005/10/21 18:26:46 \$
 FILE: \$Source: /opt/usrp-hw-cvs/usrp-hw/rev/rev05a/400MHz/400MHz_135 \$
 PAGE: 3 OF 3
 DRAWN BY: \$Author: matt \$

TX/RX



	A1	B1	A2	B2	
0	0	0	0	0	All Off
0	1	0	0	0	TX Only
0	1	1	0	0	TX Only
0	1	0	1	1	Full Duplex TX and RX
0	0	0	1	1	RX from secondary RX port
1	0	0	1	1	RX from secondary RX port
1	0	1	0	0	RX from primary TX/RX port
0	0	1	0	0	Nothing
1	0	0	0	0	Nothing
0	0	1	1	1	BADI
0	1	1	1	1	BADI
1	0	1	1	1	BADI
1	1	0	0	0	BADI
1	1	1	1	1	BADI
1	1	1	1	1	BADI

Always On



Band Filter
Exposed paddle on Quad Mod

Band	Upconverter	Downconverter	Upconverter VCO	Downconverter VCO
400 - 500 MHz	AD8345	AD8348	ADF4360-7 (Div by 2)	ADF4360-3 (Div by 2)
800 - 975 MHz	AD8349	AD8347	ADF4360-3 (Div by 2)	Same
1.2 - 1.3 GHz	AD8349	AD8347	ADF4360-0 (Div by 2)	Same
2.3 - 2.4 GHz	AD8349	AD8347	ADF4360-1	Same
2.4 - 2.7 GHz	AD8349	AD8347	ADF4360-0	Same