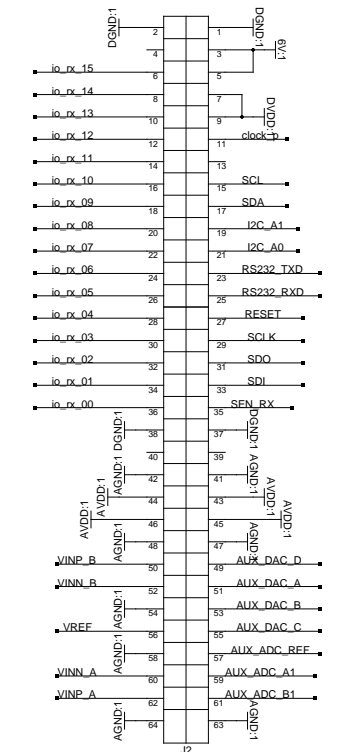


**REVERSE PMC on BOTTOM!!!!**



We invert A1 which tells us which side we're on, A or B  
 Leave other addresses open (high)  
 A2,A0 will match EEPROM

<b>DBS Tuner Daughterboard REV 2</b>	
TITLE	\$Date: 2005/12/08 01:58:52 \$
FILE: \$Source: /opt/usrp-hw-cvs/usrp-hw	Revision: \$Revision: 1.8 \$
PAGE	1 OF 1
	DRAWN BY: \$Author: matt \$